



6220E

SOFT SERVE FREEZER

Single flavor, Countertop, Gravity feed

Most **Compact & Versatile** single flavor tabletop model that offers quality, capacity and simplicity

Fast Freeze Down

Patented high efficiency heat exchanger allows fast freeze down with low energy consumption

Overrun & Consistency Control

Simple and easy control of viscosity and overrun to ensure product consistency

Low Mix Indicator

Light turns "ON" at low mix to alert operator to add mix

Self Closing Dispensing Valve

Automatically prevents product overflow after dispense

Dispense Speed Control

Provides flexibility in dispense rate control for different applications

Ideal for any business with limited counter space to add ice cream, frozen yogurt, gelato or sorbet. Simple control makes it super easy to operate. Great fit for restaurants, bars, kitchens, convenience stores and delis.



Hopper Refrigeration

Independent hopper cooling system consistently maintains product temperature below 4°C at all times

Soft System Start

Slow motor start reduces equipment noise and stress on drive train

Standby

Maintains product temperature in both mix hopper and freezing cylinder below 4°C overnight

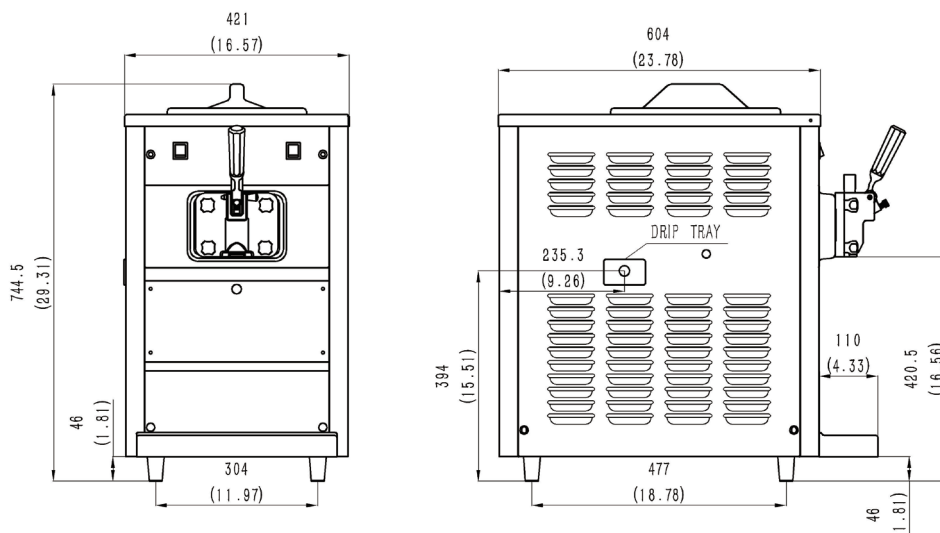
Safety Protections

- Low temperature and motor overload shutoffs to protect in the event of cylinder freeze up
- High pressure switch to prevent compressor overheating
- Thermal overload to protect from motor overheating



6220E

SOFT SERVE FREEZER



SPECIFICATIONS

Flavors	1
Freezing Cylinders	1 x 1.7 L / 1.8 qt
Mix Hoppers	1 x 8.0 L / 8.5 qt
Output Capacity (80 g)	200 serves/hr
Clearance Requirements	152 mm/6" on right

Weight

	Kg/lb
Net	88 / 194
Shipping	97 / 214

Dimensions

	Net (mm/in)	Shipping (mm/in)
Width	421 / 16.6	480 / 18.9
Depth	604 / 23.8	760 / 29.9
Height	745 / 29.3	890 / 35.0
Volume	0.32 CBM / 11.47 CBF	

Electrical	Power (kW)	Total Amps (A)	Fuse (A)
220-240/50/1	1.8	9	13
208-230/60/1	1.9	10	15

FEATURES

Control System	Single, Analog
Refrigerated Hopper	<input checked="" type="checkbox"/>
Standby Mode	<input checked="" type="checkbox"/>
Auto Closing Dispensing Valve	<input checked="" type="checkbox"/>
Dispensing Speed Control	<input checked="" type="checkbox"/>
Low Mix Indicator Light	<input checked="" type="checkbox"/>
Low Temperature Protection	<input checked="" type="checkbox"/>
High Pressure Protection	<input checked="" type="checkbox"/>
Thermal Overload Protection	<input checked="" type="checkbox"/>
Inverter Soft Start	<input checked="" type="checkbox"/>

AVAILABLE OPTIONS

None

• Above specifications are subject to change without notice