



6690-C

FROZEN BEVERAGE FREEZER

Single flavor, Countertop, Gravity feed



Powerful & Versatile

High capacity single flavor counter model for frozen beverage and milkshakes

Fast Freeze Down

Patented high efficiency heat exchanger allows fast freeze down with low energy consumption

Simple Control, Easy Operation

Simple and intuitive control system makes operation and viscosity adjustment easy, swift and more precise

Low Mix Indicator

Light turns "ON" at low mix to alert operator to add mix

See-through Dispensing Door

Clear dispensing door design makes product more attractive and serves as great marketing tool

Standby & Indicator

Maintains product temperature in both mix hopper and freezing cylinder below 4.4°C (40°F) overnight; Indicator lights up during Standby

Higher capacity solution with greater flexibility to serve larger crowds mocktails frozen drinks including milkshakes

Hopper Agitator

Maintain product consistency and prevent product separation

Self-closing Dispensing Valve

Automatically prevents product overflow after dispense

Safety Protections

- High pressure switch to prevent compressor overheating
- Thermal overload to protect from motor overheating

Light Box (Optional)

- Illuminates advertizing cards to attract more business
- Changes color to indicate Low Mix and Standby

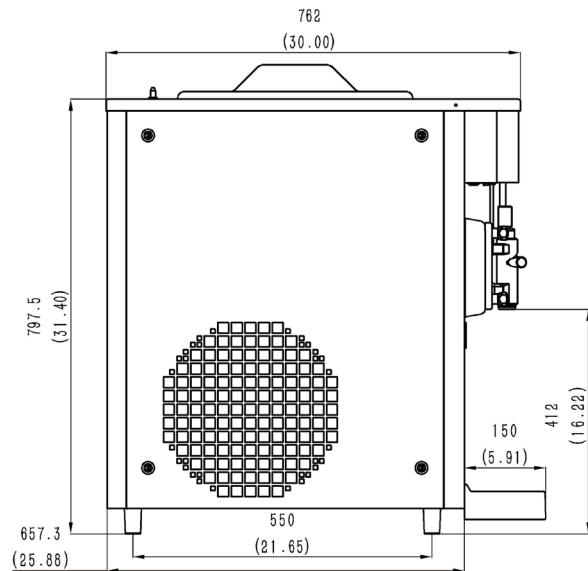
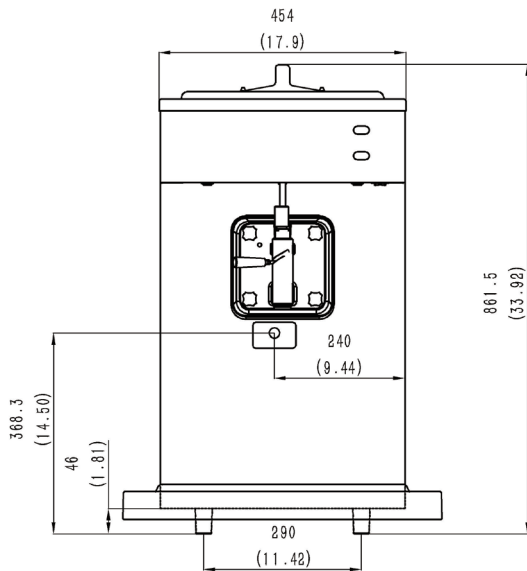
One-hand Operated Spinner (Optional)

- Adds ability to blend and offer more varieties of treats
- Allows for multi-tasking one-hand operation that helps increase productivity and reduce serving time



6690-C

FROZEN BEVERAGE FREEZER



SPECIFICATIONS

Flavors	1
Freezing Cylinders	1 x 6.9L / 7.3qt
Mix Hoppers	1 x 20L / 21.2qt
Output Capacity (250ml)	240 serves/hr
Clearance Requirements	152mm/6" on right

Weight

Kg/lb

Net	138 / 304
Shipping Cylinders	151 / 333
Volume	0.44 CBM / 15.48 CBF

Dimensions

	Net (mm/in)	Shipping (mm/in)
Width	454 / 17.9	520 / 20.5
Depth	657 / 25.9	860 / 33.9
Height	862 / 33.9	980 / 38.6

Electrical

	Fuse	Amps	Power(kW)
220-240/50/1	20	12	2.4
208-230/60/1	20	13	2.6

FEATURES

Control System	Two, Mechanical
Refrigerated Hopper	✓
Hopper Agitator	✓
Standby Mode	✓
Auto Closing Dispensing Valve	✓
Low Mix Indicator Light	✓
Low Mix Indicator Alarm	✓
Standby Indicator Light	✓
High Pressure Protection	✓
Thermal Overload Protection	✓

AVAILABLE OPTIONS

Top Air Discharge Chute	✓
Spinner	✓
Light Box	✓

• Above specifications are subject to change without notice