

# 6210B-C 6210AB-C

## SOFT SERVE FREEZER

1 Flavor, Countertop, Pasteurization  
A: Pump Feed Model



Most **Compact & Versatile**  
single flavor counter model  
with **Auto-Pasteurization**  
with intelligent control

### Auto-Pasteurization

Significantly reduces frequency of cleaning to every 21 days with scheduled daily auto-pasteurization

### Digital Control and Display

Microprocessor control provides access to system settings and additional functions. Digital interface displays critical info as system status, temperatures, dispense count, errors, etc.

### Operation Logging

Logs every operation and error to provide history and data for easy troubleshooting

### Auto Programming

Allows automatic switching of operation modes based on preset schedules

Ideal for any restaurants, convenience stores, dessert stands and delis to serve ice cream and gelato but with desire for significant reduction in labor cost of cleaning.



### Hopper Agitator

Maintain product consistency and prevent product separation

### Defrost for Cleaning

Increases efficiency during cleaning by heating frozen product in cylinder

### Direct Drive Transmission

Eliminates consumable moving parts and increases transmission efficiency

### Safety Protections

- Low temperature and motor overload shutoffs to protect in the event of cylinder freeze up
- High pressure switch to prevent compressor overheating

### Refresh and Revive

Restore perfect consistency automatically to reduce product waste and labor cost while ensuring food safety

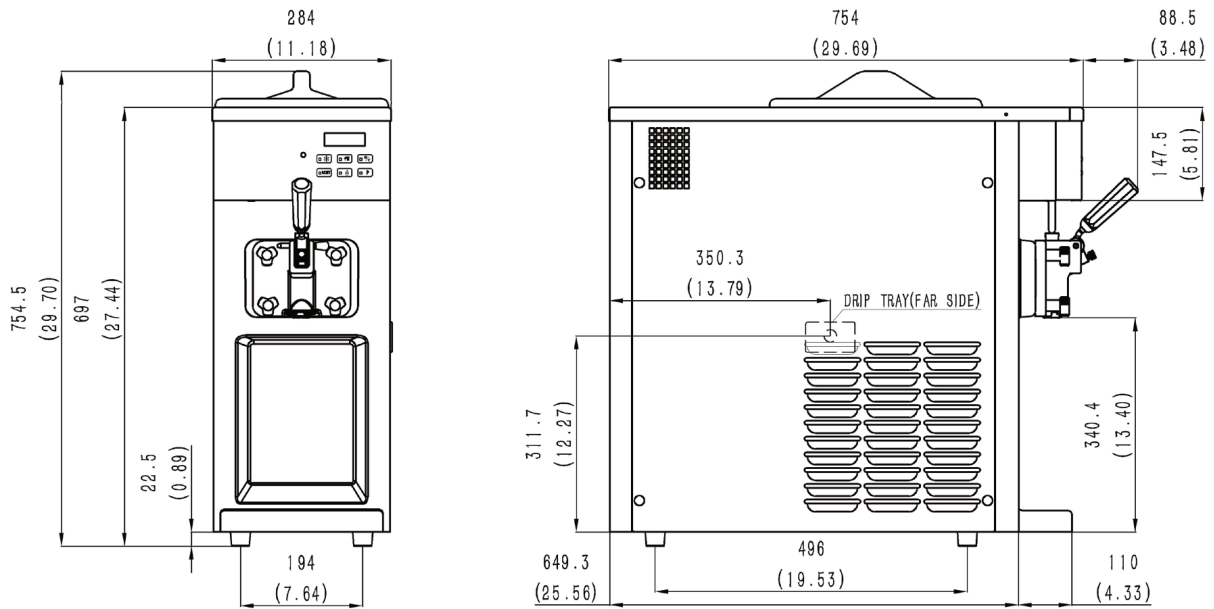
### Self Closing Valve with Speed Control

Automatically prevents product overflow after dispense; Provides flexibility in dispense rate control



# 6210B-C/6210AB-C

# SOFT SERVE FREEZER



## SPECIFICATIONS

Flavors	1
Freezing Cylinders	1 x 1.2L / 1.3qt
Mix Hoppers	1 x 8L (5L for A)
Output Capacity (80 grams)	200 serves/hr
Clearance Requirements	152mm/6" on back

## Weight

	Kg/lb (Gravity)	Kg/lb (Pump)
Net	113 / 249	118 / 262
Shipping	124 / 273	129 / 284
Volume	0.35 CBM / 12.38 CBF	

## Dimensions

	Net (mm/in)	Shipping (mm/in)
Width	384 / 15.1	450 / 17.7
Depth	674 / 26.5	820 / 32.3
Height	726 / 28.6	950 / 37.4

## Electrical

	Amps	Fuse	Power(kW)
220-240/50/1	8	16	1.8
208-230/60/1	10	15	2.0

## FEATURES

Control System	Single, Digital
Refrigerated Hopper	<input checked="" type="checkbox"/>
Hopper Agitator	<input checked="" type="checkbox"/>
Temperature Display	<input checked="" type="checkbox"/>
Standby Mode	<input checked="" type="checkbox"/>
Auto CIsing Dispensing Valve	<input checked="" type="checkbox"/>
Dispensing Speed Control	<input checked="" type="checkbox"/>
Low Mix Indicator Light	<input checked="" type="checkbox"/>
Low Mix Indicator Alarm	<input checked="" type="checkbox"/>
Low Temperature Protection	<input checked="" type="checkbox"/>
High Pressure Protection	<input checked="" type="checkbox"/>
Defrost & Refresh	<input checked="" type="checkbox"/>
Soft Start	<input checked="" type="checkbox"/>
Direct Drive Pump	<input checked="" type="checkbox"/>
Auto-Pasteurization	<input checked="" type="checkbox"/>

## AVAILABLE OPTIONS

Water Cooled	<input checked="" type="checkbox"/>
Top Air Discharge Chute	<input checked="" type="checkbox"/>

• Above specifications are subject to change without notice